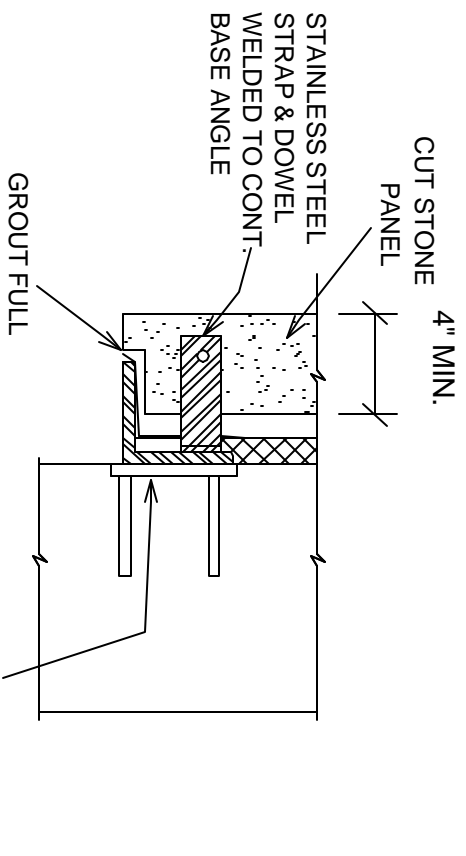
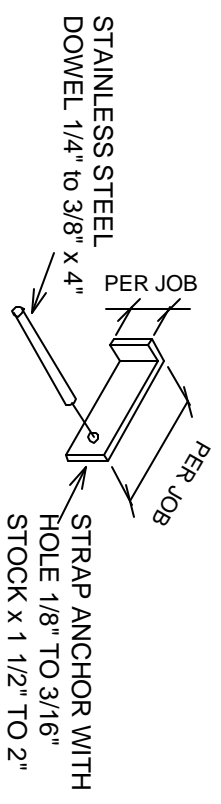


SECTION @ CUT STONE SILL



SECTION @ BASE OF CUT STONE PANEL



TYPICAL STAINLESS STEEL STRAP AND DOWEL ANCHOR

STRAP & DOWEL DETAIL

Bayer Stone, Inc.
 120 North 6th Street
 St. Marys, KS 66536
 1-800-255-9399
 Fax: 785/437-3780
www.bayerstone.com