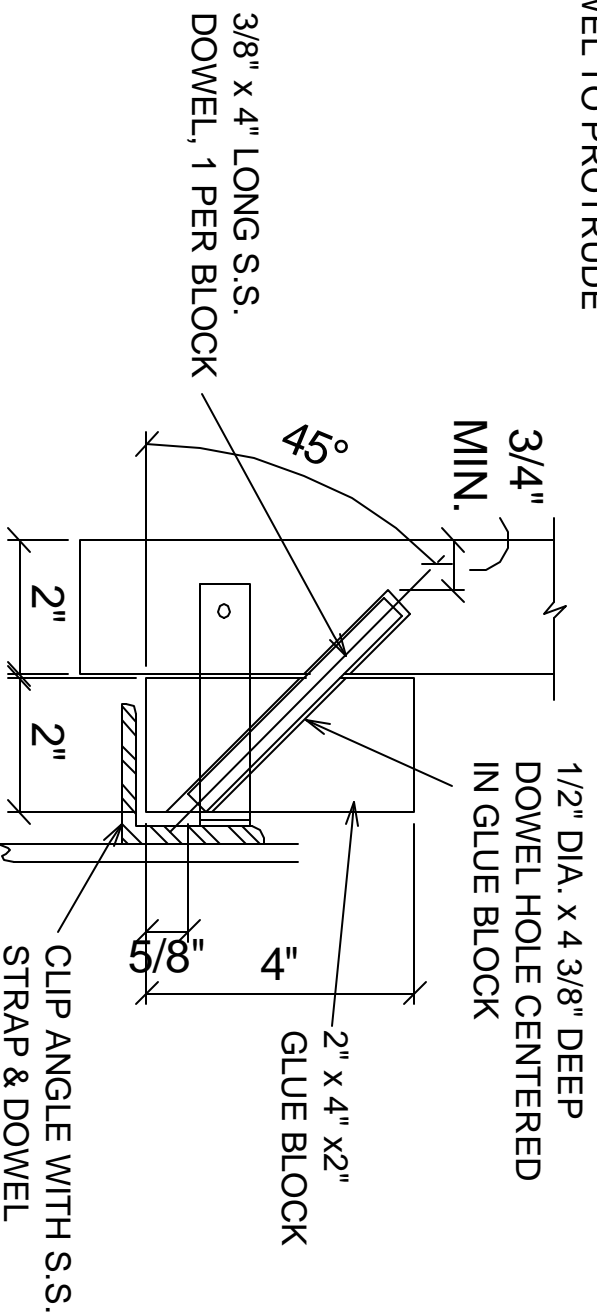


1. EPOXY BLOCK TO BACK OF STONE AS REQ'D. BY SHOP TICKET. ALLOW TO DRY.
2. DRILL 1/2" DIA x 4 3/8" DEEP DOWEL HOLE THRU BLOCK & INTO BACK OF STONE PANEL. CONTROL DEPTH OF HOLE.
3. EPOXY 3/8" DIA. x 4" LONG S.S. DOWEL INTO HOLE, DO NOT ALLOW DOWEL TO PROTRUDE



GLUE BLOCK

Bayer Stone, Inc.

120 North 6th Street
 St. Marys, KS 66536
 1-800-255-9399
 Fax: 785/437-3780

www.bayerstone.com